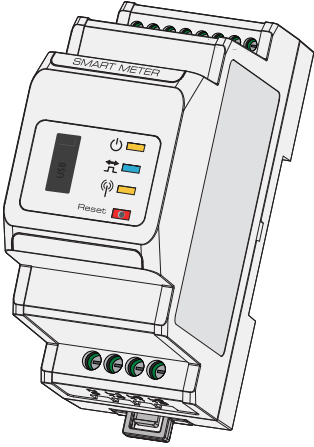


# Smart Meter

## USER MANUAL



No. 90 Zijin Rd., New District, Suzhou, 215011, China  
 service@goodwe.com | www.goodwe.com

## 01 INTRODUCTION

GoodWe Smart Meter is designed with high precision small dimensions, convenient operation and installation.

It is available for both single-phase grid system connection to detect voltage, current, power and energy, for working with inverters including SEMS systems for the purpose energy management.

Any fault or damage caused misoperation or disobeyal against the rules on manual is beyond GoodWe warrenty cover range.

### PACKING LIST

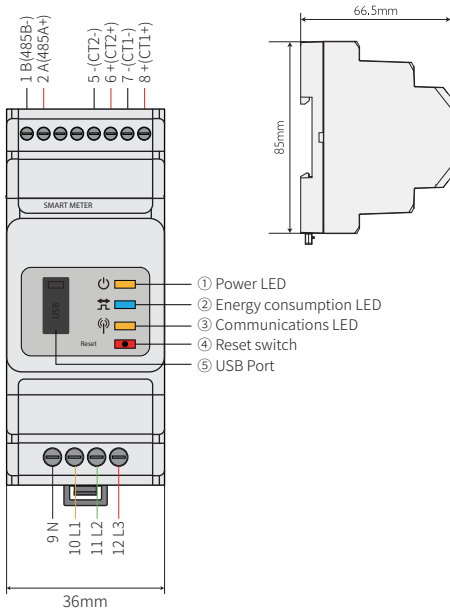
1*Smart Meter	8*Cable Connection Terminal
1*Screw Driver	1*RJ45-to-Pin Cable <sup>[1]</sup>
2*CT(Current Transformer)	

### NOTE:

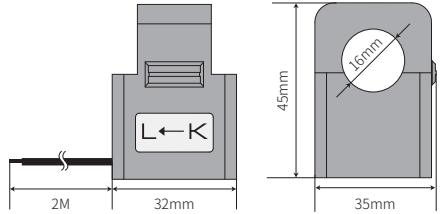
[1] Only suitable for RS485 cable connection on RJ45 port of GoodWe hybrid inverters.

## 02 OVERVIEW

### 2.1 SMART METER OVERVIEW



### 2.2 CT OVERVIEW



## 03 INSTALLATION INSTRUICTON

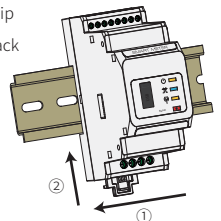
### 3.1 INSTALLATION ENVIROMENT

**Protection Class:** IP20(for indoor use)

**Operating Temperature:** -25°C~+60°C

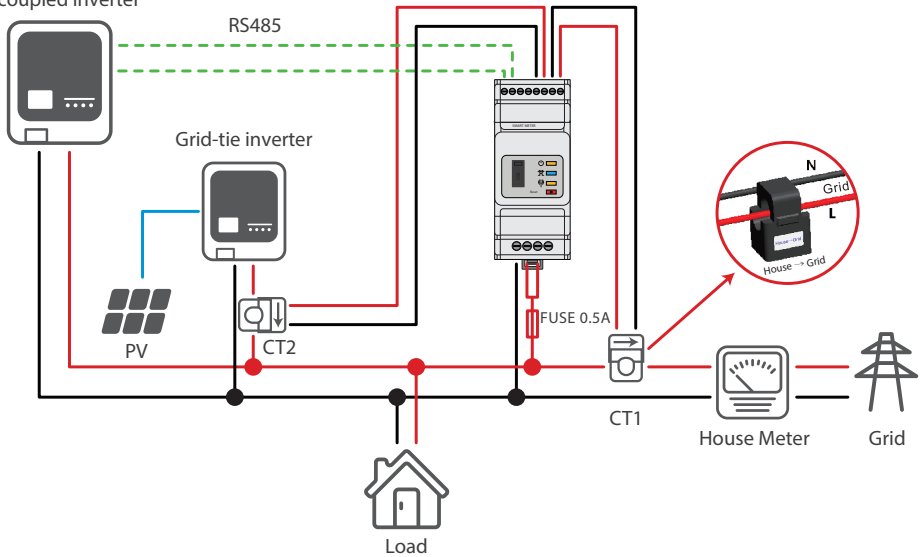
### 3.2 INSTALLATION (WITH DIN TRACK)

- ① Pull to release the retaining clip
- ② Mount the HomeKit on the track and push the Retaining clip up(a click sound indicates it is installed well)



### 3.3 WIRING CONNECTION

AC coupled inverter



Correct direction of CT: House (K)→Grid(L).

⚠ Incorrect connection or direction will cause incorrect data.

#### 04 ELECTRICAL DATA

<b>MODEL</b>		GM1000D
<b>APPLICATION</b>		Single-phase
<b>Voltage</b>	Nominal Voltage	110V/230V
	Voltage Range	100V ~ 240V
	Frequency	50Hz/60Hz
<b>Current Input</b>	Nominal Current	CT in:120A/40mA
	Current Range	0.48A ~ 120A
<b>Self-Consumption</b>		3W max
<b>Data Detection</b>		Voltage / Current / Active Power / Reactive Power / Power Factor / Frequency
<b>Energy Calculation</b>		Active / Reactive Power Energy
<b>Precision</b>	Voltage/ Current	Class 1
	Active Power	Class 1
	Reactive Power	Class 2
<b>Communication (With inverter)</b>		RS485 (Bund Rate 9600 / ModBus Protocol / communication cable max. length 100m)
<b>Weight</b>		360g
<b>Altitude</b>		<2000m

#### 05 INTERFACE

##### 5.1 INDICATIONS

- **Power LED:**  
Normal status: ON
- **Energy Consumption LED:**  
Consuming: ON  
Generating: Blinking
- **Communication LED:**  
Transmitting data: ON  
Resetting: Blink 5 times

##### 5.2 RESET SWITCH

Press	Function
<3s	Meter reset
5s	Meter settings initialization
>10s	Meter initialize settings and clear energy data

##### 5.3 USB PORT

For after-sales maintenance.